

Radiant Dyes Laser & Accessories GmbH

NarrowAmp

NarrowAmp - Pulsed Dye Amplifier



To get single mode laser pulses from a cw radiation it is the optimal solution to use our NarrowAmp, a pulsed dye Amplifier.

Our pulsed single-mode cw amplifier system consists of 2 to 3 amplifier stages depending on the pump laser.

The last amplifier stage is a Bethune cell in order to achieve a perfect beam profile. By using a special ASE-filter system the ASE is extremely reduced.

Specifications:

Tuning range:	540 nm – 800 nm
Linewidth:	approx. < 200 MHz 100 mS (dependent on pump laser)
Output pulse energy	>9 mJ@ 730 nm (pumped 45 mJ@532nm)
Power stability :	< 6%
Pointing stability :	< 50 μ rad
Divergence :	< 0.5 mrad
Isolation between cw laser and pulse laser :	> 30dB
	incl. 3 dye circulators:
	2 x of RD2000FC20 and
	1 x of RD2000FC40 or Bethune Cell dependent on Pump Energy & Application
	(Dye circulator : = 2liters)



Radiant Dyes Laser Acc. GmbH, Friedrichstr. 58, D-42929 Wermelskirchen

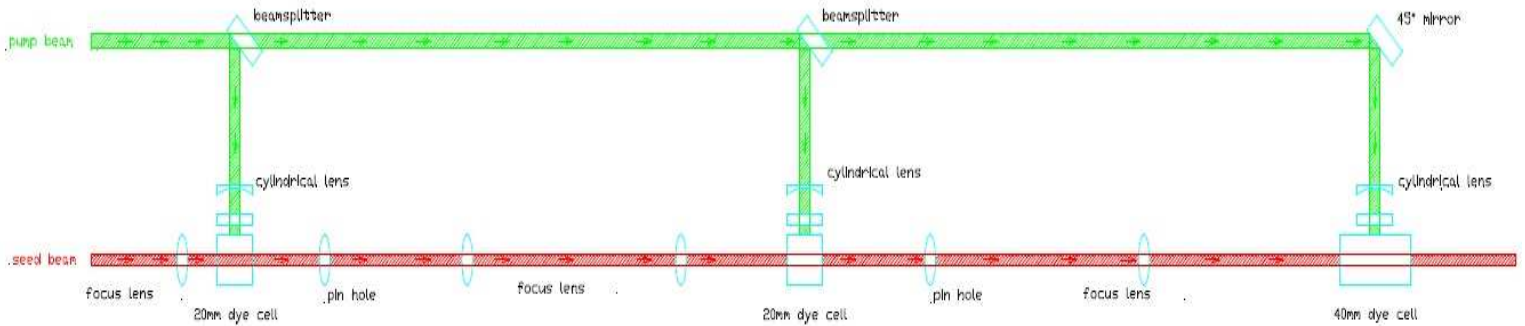
☎ 02196-81061 + 92685, Fax 02196-3422

<http://www.radiant-dyes.com> / E-mail: info@radiant-dyes.com

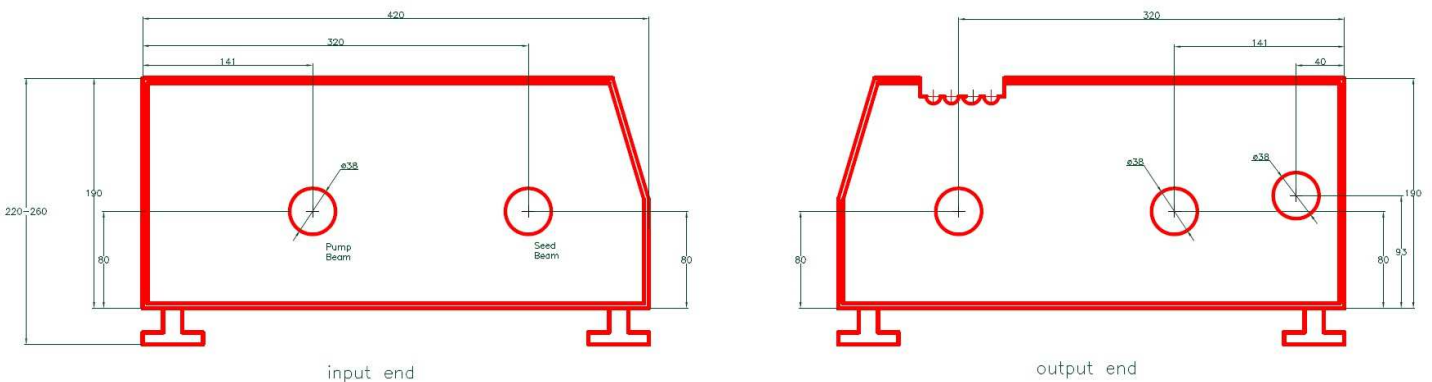
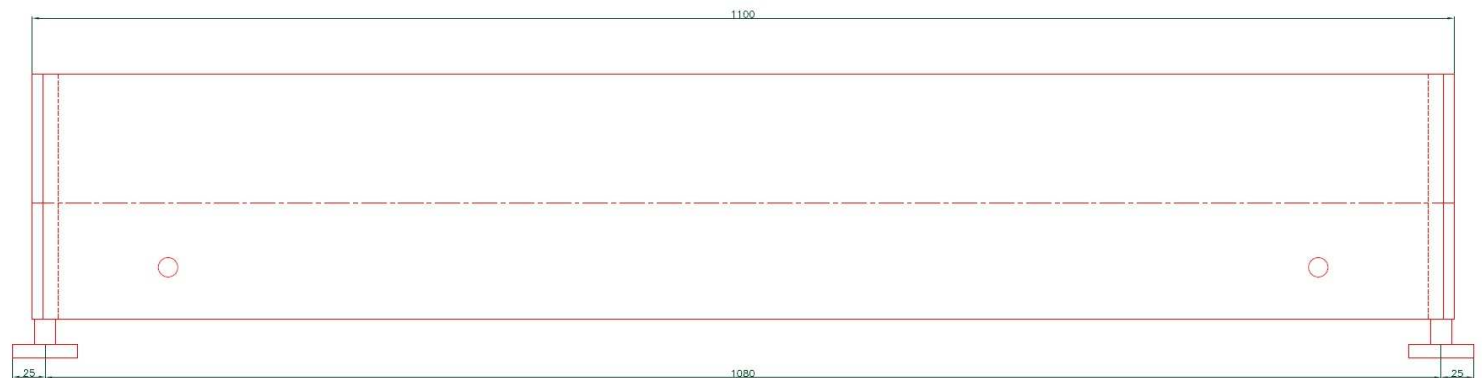
Radiant Dyes Laser & Accessories GmbH

NarrowAmp

Optical Layout:



Dimensions:



Radiant Dyes Laser Acc. GmbH, Friedrichstr. 58, D-42929 Wermelskirchen

☎ 02196-81061 + 92685, Fax 02196-3422

<http://www.radiant-dyes.com> / E-mail: info@radiant-dyes.com